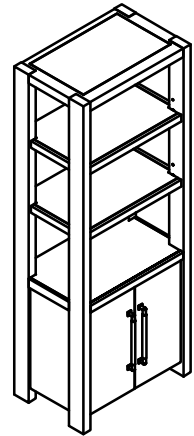


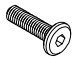




Warning :

- Be sure to check all packing material carefully for small parts, which may have come loose inside the carton during shipment.
- To prevent possible scratches and damage, this furniture must be assembled on a soft surface such as a blanket or carpet.

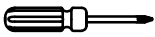


91048 Entertainment Pier Unit

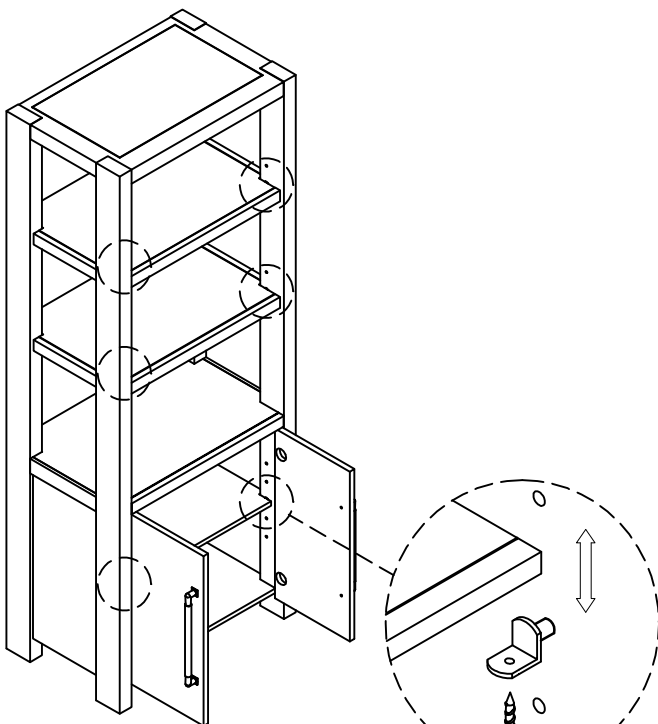
Components and Hardware List

Allen Head Bolt Ø1/4"-20 x 3/4"  (A) 2 pcs.	Spring Washer Ø1/4" x Ø10  (B) 2 pcs.	Flat Washer Ø1/4" x Ø19  (C) 2 pcs.	Allen Key M4 x 2-1/2"  (D) 1 pc.	Furniture Tipping Restraint Kit  (E) 1 pc.
--	--	--	---	--

Screw Driver
not included

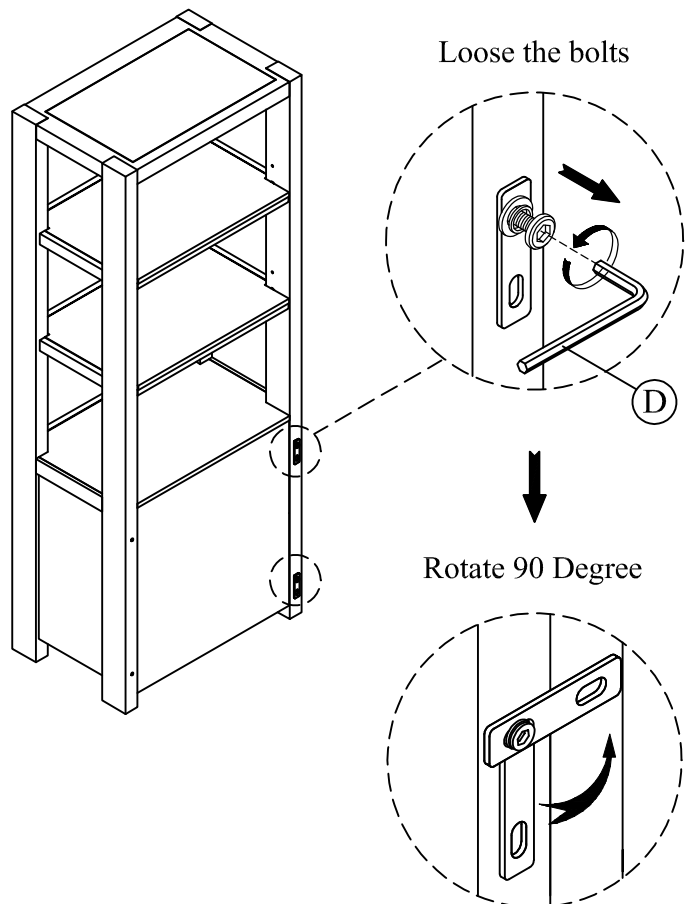


Step 1



Uncrew to adjust the shelf height

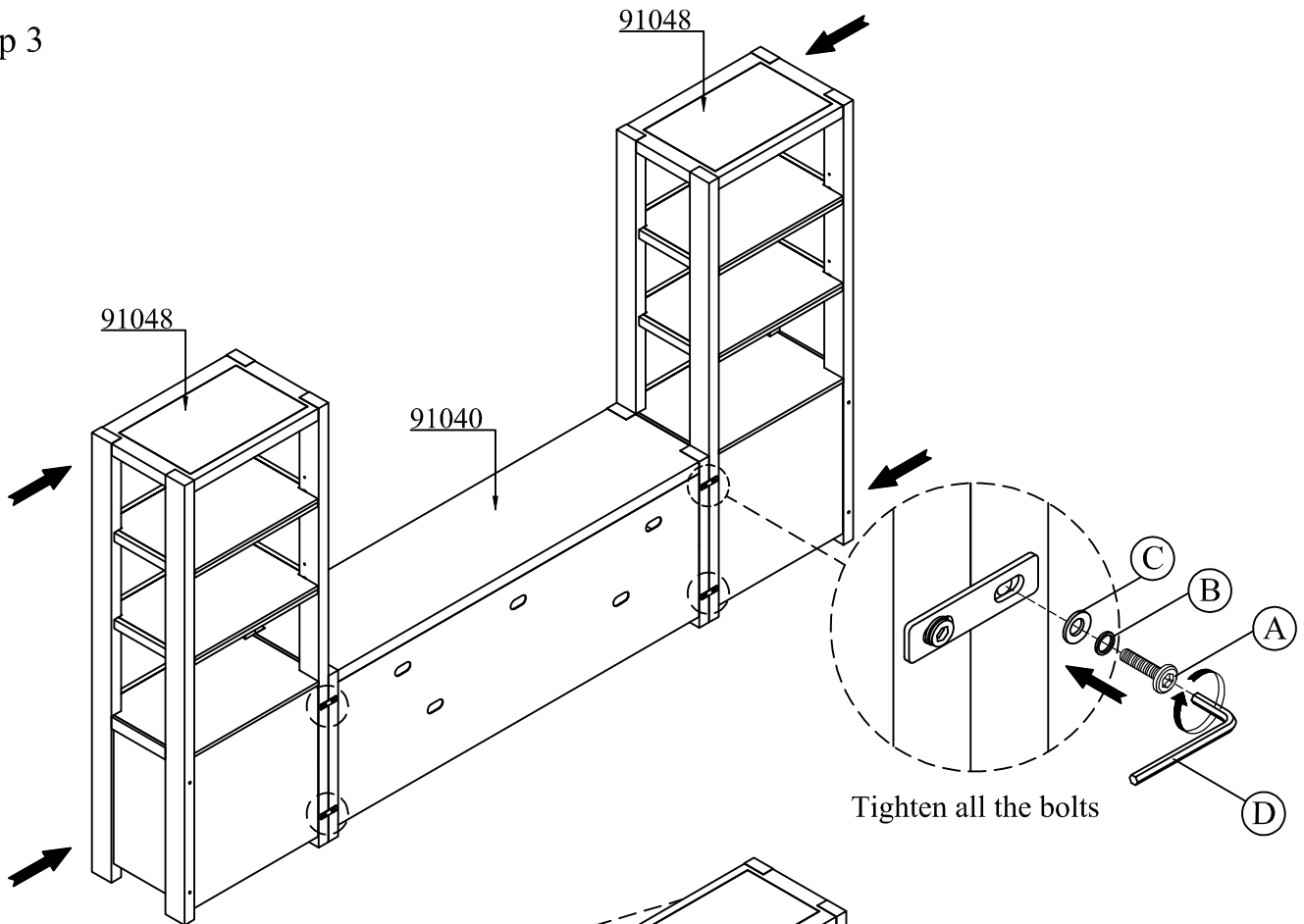
Step 2



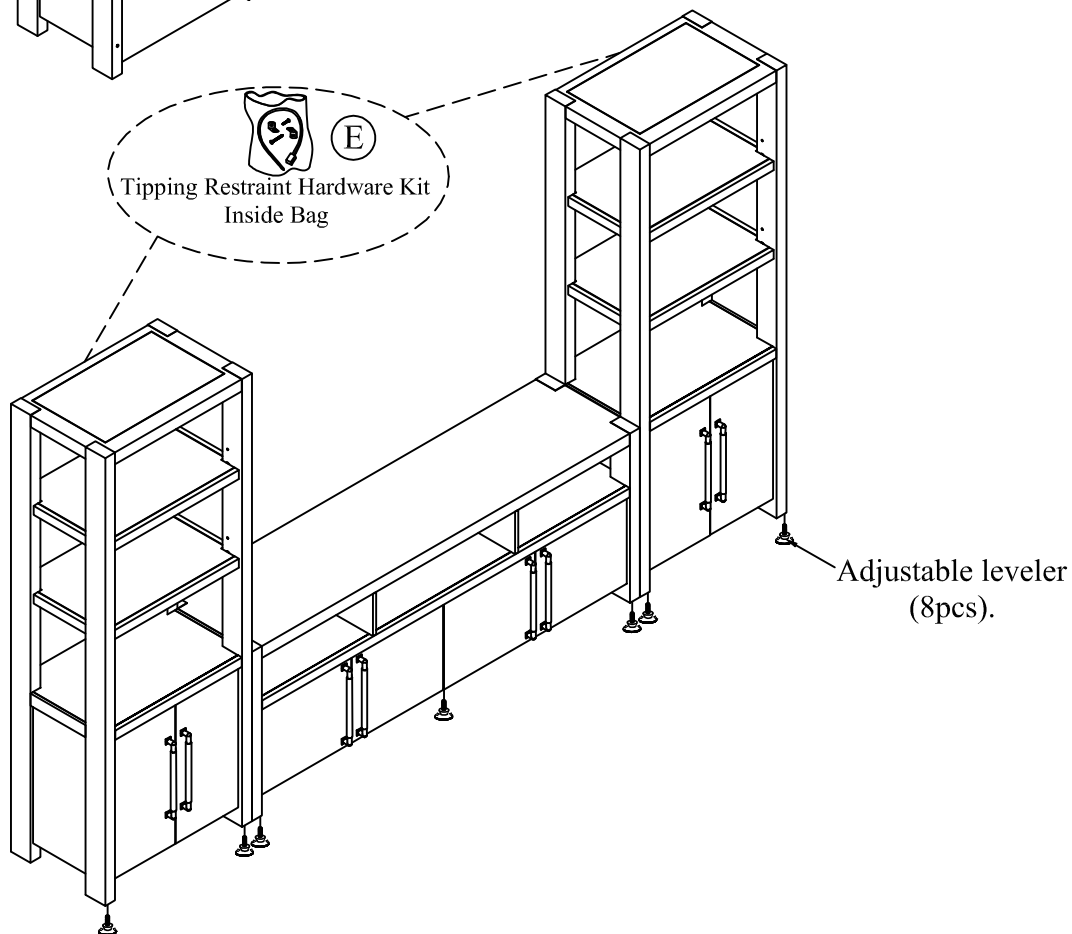
Loose the bolts

Rotate 90 Degree

Step 3

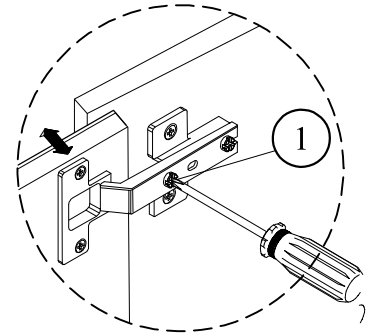
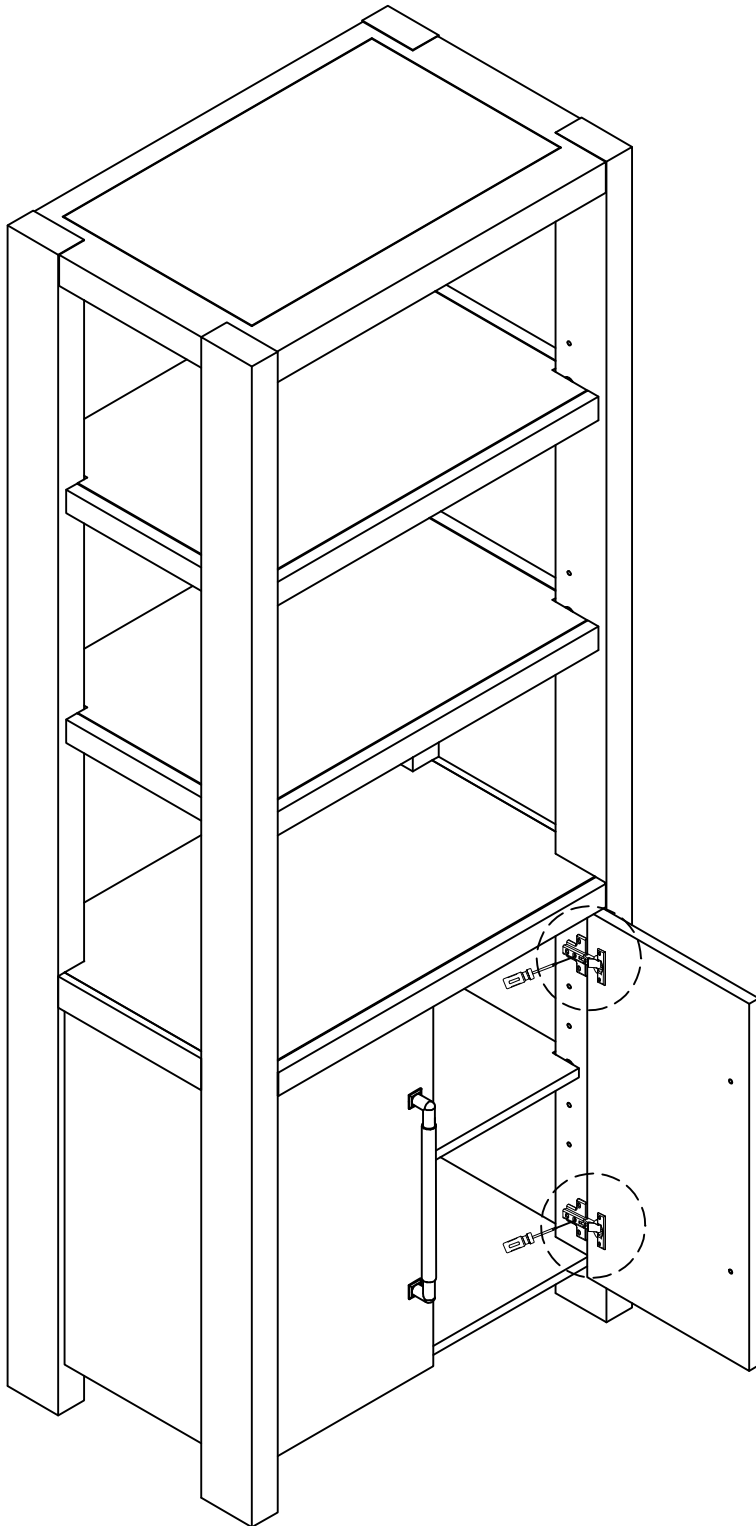


Step 4

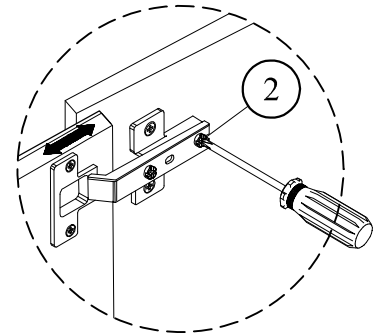


For product and personal safety, a Furniture Tipping Restraint kit has been included with this unit which can help to minimize the risk of the unit accidentally tipping forward, if used and properly installed per the kit manufacturer's instructions.

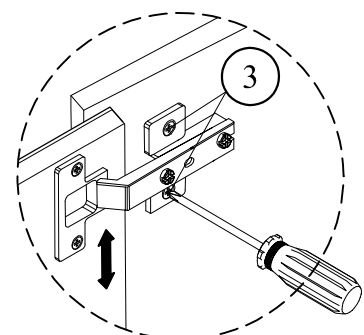
Hinge Adjustment Steps



Door Angle Adjustment
loosen screw 1, adjust gap with screw 2 and re-tighten Screw 1.



Horizontal Adjustment
loosen screw 1, push hinge arm forwards or backwards, re-tighten screw 1 and secure Screw 2 with a 1/4 turn clockwise.



Vertical Adjustment
loosen screw 3, adjust door height and re-tighten screw 3.

* The doors can be adjusted in all 3 directions to create an even fit between doors on this cabinet. Follow the appropriate directions above to adjust door(s) as necessary.